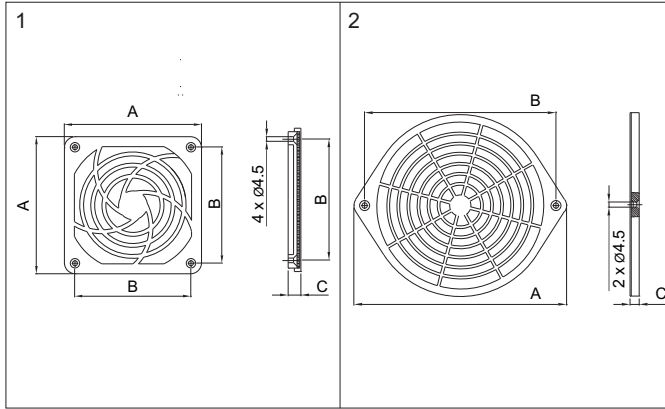


PLASTIC FILTERS

ETRI®

Accessories



Benefits:

- Easy mounting
- Smart appearance
- High mechanical resistance

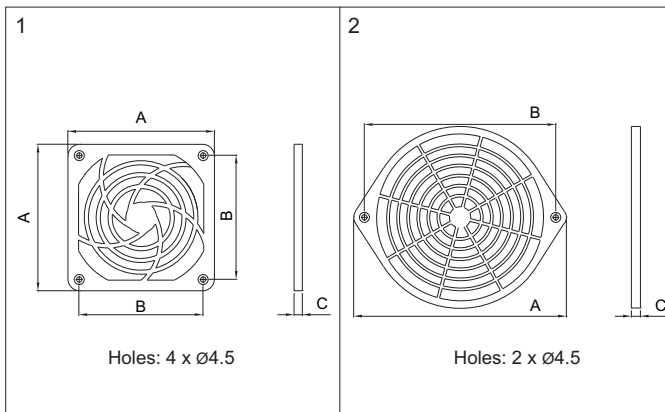
Material:

Plastic UL 94 V0
Black filter pad

The drawings of this page are for information only and are not contractual drawings.
The shape of these filters and finger guards may be modified without prior notice.

Part number	Fans dimensions	Model	Dimensions (mm)			Filters pads
			A (±1)	B (±1)	C (±0,5)	
FLTR PL F60/T102	60 x 60	1	60	50	6,6	MED FLTR F60/T102-03
FLTR PL F80/T102	80 x 80	1	84	71,5	10	MED FLTR F80/T102-03
FLTR PL F90/T101	92 x 92	1	96	82,5	10	MED FLTR F90/T101-03
FLTR PL F90/T102	92 x 92	1	96	82,5	10	MED FLTR F90/T102-03
FLTR PL F120/T102	120 x 120	1	124	104,8	11	MEDIA F120/T102-03
FLTR PL F172/T102	172 x 150	2	180	162	8	MED FLT F172/T102-03

PLASTIC FINGER GUARDS



Benefits:

- Easy mounting
- Smart appearance
- High mechanical resistance

Material:

Plastic UL 94 V0

The drawings of this page are for information only and are not contractual drawings.
The shape of these filters and finger guards may be modified without prior notice.

Part number	Fans dimensions	Model	Dimensions (mm)			Can be used as spare parts of plastic filters part number
			A (±1)	B (±1)	C (±0,5)	
P-DGT PL PFG-60	60 x 60	1	60	50	6,0	FLTR PL F60/T102
P-DGT PL PFG-80	80 x 80	1	81	71,5	5,5	FLTR PL F80/T102
P-DGT PL PFG-90	92 x 92	1	92	82,5	7,1	FLTR PL F90/T102
P-DGT PL PFG-120	120 x 120	1	117,4	104,9	7,1	FLTR PL F120/T102
P-DGT PL PFG-172	172 x 150	2	180,3	162	7,9	FLTR PL F172/T102